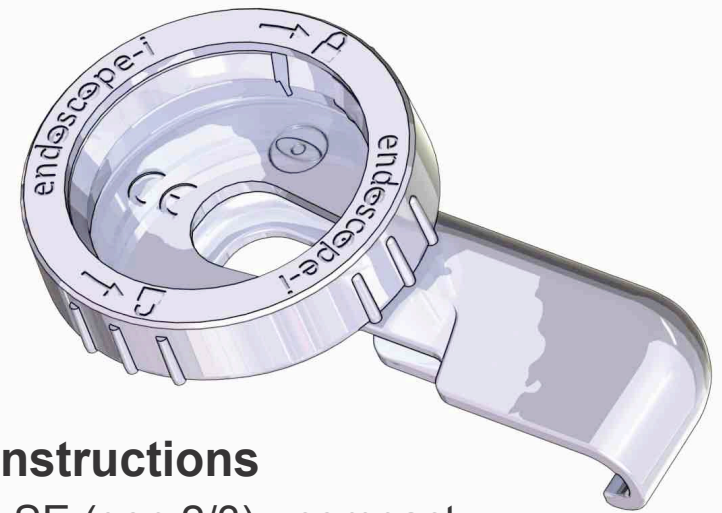




smartphone endoscope adapter



User Instructions

iPhone SE (gen 2/3) - compact

company information

The endoscope-i smartphone adapter was designed by **endoscope-i ltd** and is manufactured in the EU.

Copyright:
endoscope-i ltd
Somerset house
37 Temple Street
Birmingham
B2 5DP
United Kingdom



company number: 8315177

www.endoscope-i.com



Apple, App Store and iPhone are trademarks of Apple Inc.

*images are representative and may differ depending upon model

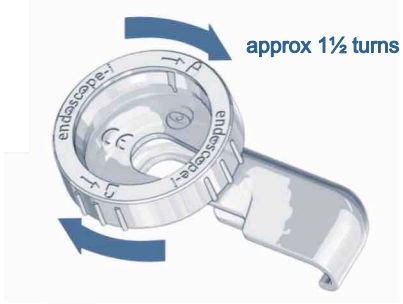
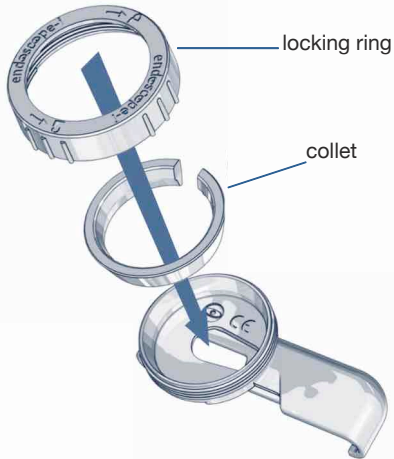
important information

this is not a safety device:

The endoscope-i smartphone adapter, although durable, will not protect your smartphone from damage arising from impact or falls when fitted.

assembly - collet and locking ring

Place the collet within the eyepiece cup on the rear of the adapter body, and carefully screw on the locking ring to hold it in place.



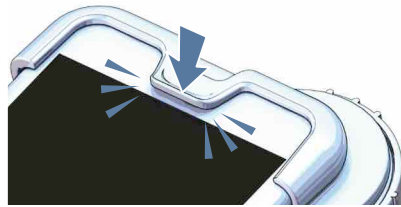
The locking mechanism aligns the endoscope with the rear camera lens for endoscopic imaging and prevents the endoscope from accidentally detaching - even if not fully tightened.

installing your smartphone

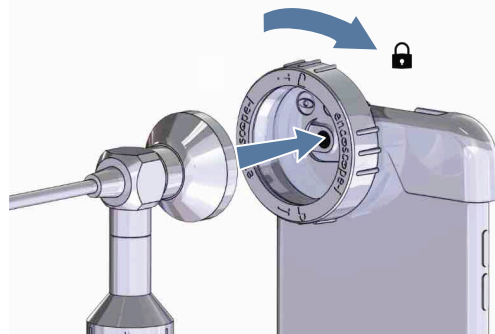
Align your iPhone with the top edge of the adapter and slide into place.



Secure to the phone by firmly pressing the catch over the top hand edge on the adapter till it latches over the speaker port with a snap.



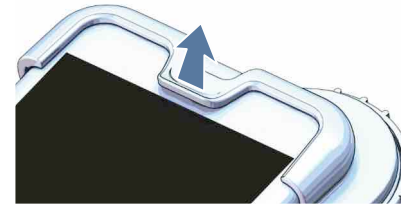
Place the eyepiece of the endoscope into the cup on the rear of the adapter.



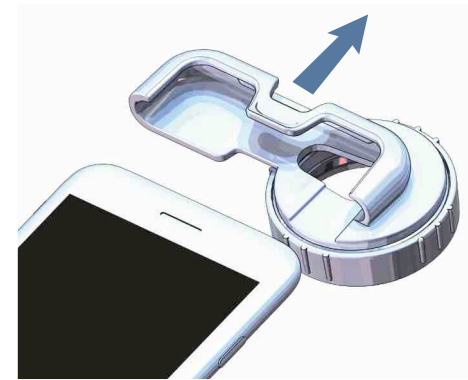
Secure the endoscope by turning the locking ring clockwise and tightening it by hand.

removing your smartphone

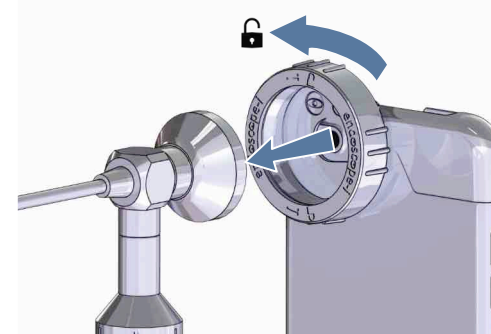
Unlatch the adapter by using your thumb to lift the latching feature away from the phone.



Once unlatched, remove the adapter by sliding it away from the top of the iPhone.



REMOVAL: loosen the locking ring by turning it anticlockwise until the endoscope is released.



using the adapter for imaging

The endoscope-i adapter body is precision engineered to attach reliably and securely to a specific model of smartphone, as indicated on the device.

The adapter body is compatible only with the iPhone for which it was designed. In order to avoid potential damage to your smartphone ensure that you use the correct adapter body. The adapter is also designed to fit any rigid or flexible endoscope with a 32 mm eyepiece.

The endoscope-i smartphone adapter was designed for use with 'e-i pro', which is available from the App Store.



e-i Pro

cleaning the adapter

The e-i adapter body, collet and locking ring are **not suitable for cleaning by autoclave, or solvents.**

The endoscope-i adapter should be wiped clean with a soft cloth and mild non-abrasive detergent mild non-abrasive detergent or anti-septic wipe.

Remove the adapter from your smartphone and disconnect from the endoscope prior to cleaning.

materials and recycling

endoscope-i are keen to improve the world of medicine and minimise their impact on the environment.

The e-i adapter packaging is card – widely recycled.



The locking ring and collet are manufactured from PC ABS.



The adapter body is manufactured from PC ABS.



In the unlikely event that you encounter any problems with your purchase then please do not hesitate to contact us at:

info@endoscope-i.com