



smartphone endoscope adapter

User Instructions

iPhone 11 & 11 Pro Max



company information

The endoscope-i smartphone adapter was designed by **endoscope-i ltd** and is manufactured in the EU.

Copyright:
endoscope-i ltd
Somerset house
37 Temple Street
Birmingham
B2 5DP
United Kingdom



company number: 8315177
www.endoscope-i.com

*images are representative and may differ depending upon model

Apple, App Store and iPhone are trademarks of Apple Inc.

important information

this is not a safety device:
The endoscope-i smartphone adapter, although durable, will not protect your smartphone from damage arising from impact or falls when installed.

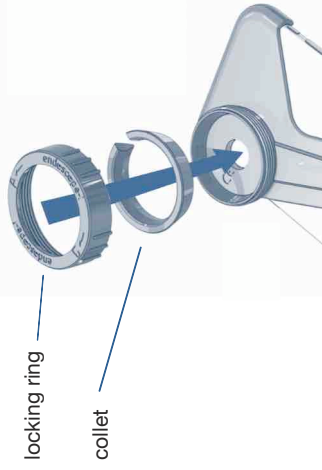
installing your smartphone

Align your phone with the top edges of the adapter and slide into place.

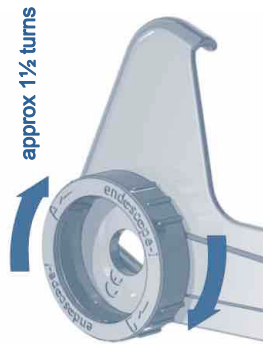


The phone should sit under the adapter lip.

assembly - collet and locking ring



Place the collet within the eyepiece cup on the rear of the adapter body, and carefully screw on the locking ring to hold it in place.



The locking mechanism aligns the endoscope with the optimal rear camera lens for endoscopic imaging, and prevents the endoscope from accidentally detaching - even if not fully tightened.

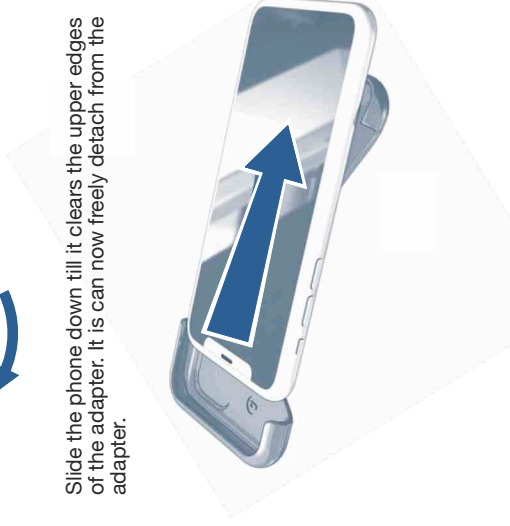
removing your smartphone

Unlatch the bottom of the adapter from the phone chassis.

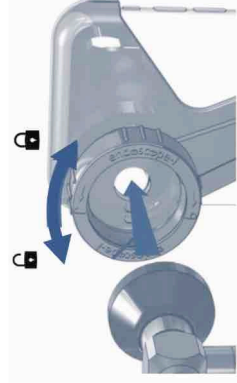


Gently flex the adapter away from the phone to pull the latch clear of the phone edge.

Slide the phone down till it clears the upper edges of the adapter. It is can now freely detach from the adapter.



Secure the endoscope by turning the locking ring clockwise and tightening it by hand.



REMOVAL: loosen the locking ring by turning it anticlockwise until the endoscope is released.

using the adapter for imaging

The endoscope-i adapter body is precision engineered to attach reliably and securely to a specific model of smartphone, as indicated on the device.

The adapter body is compatible only with the iPhone for which it was designed. In order to avoid potential damage to your smartphone ensure that you use the correct adapter body. The adapter is also designed to fit any rigid or flexible endoscope with a 32 mm eyepiece.

The endoscope-i smartphone adapter was designed for use with 'e-i pro', which is available from the App Store.



e-i Pro



cleaning the adapter

The e-i adapter body, collet and locking ring are **not suitable for cleaning by autoclave, or solvents.**

The endoscope-i adapter should be wiped clean with a soft cloth and mild non-abrasive detergent or anti-septic wipe.

Remove the adapter from your smartphone and disconnect from the endoscope prior to cleaning.

materials and recycling

endoscope-i are keen to improve the world of medicine and minimise their impact on the environment.



The ei adapter packaging is card – widely recycled.



The locking ring and collet are manufactured from PC ABS.



The adapter body is manufactured from PA 11.

In the unlikely event that you encounter any problems with your purchase then please do not hesitate to contact us at:

info@endoscope-i.com